

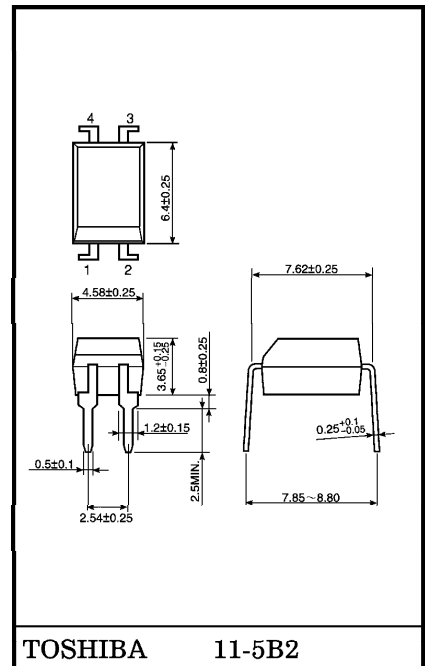
TLP421

- OFFICE EQUIPMENT
- HOUSEHOLD APPLIANCES
- SOLID STATE RELAYS
- SWITCHING POWER SUPPLIES
- VARIOUS CONTROLLERS
- SIGNAL TRANSMISSION BETWEEN DIFFERENT VOLTAGE CIRCUITS

The TOSHIBA TLP421 consists of a silicone photo-transistor optically coupled to a gallium arsenide infrared emitting diode in a four lead plastic DIP (DIP4) with having high isolation voltage (AC : 5k V_{RMS} (min)).

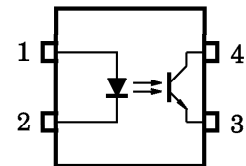
- Collector-Emitter Voltage : 80 V (min)
- Current Transfer Ratio : 50% (min)
Rank GB : 100% (min)
- Isolation Voltage : 5000 V_{rms} (min)
- UL Recognized : UL1577
- BSI Approved : BS EN60065 : 1994
Approved No. 8411
BS EN60950 : 1992
Approved No. 8412
- SEMKO Approved : EN60065, EN60950, EN60335
Approved No. 9910249 / 01

Unit in mm



Weight : 0.26 g

PIN CONFIGURATIONS (TOP VIEW)



- 1 : ANODE
- 2 : CATHODE
- 3 : EMITTER
- 4 : COLLECTOR

980910EBC1

● TOSHIBA is continually working to improve the quality and the reliability of its products. Nevertheless, semiconductor devices in general can malfunction or fail due to their inherent electrical sensitivity and vulnerability to physical stress. It is the responsibility of the buyer, when utilizing TOSHIBA products, to observe standards of safety, and to avoid situations in which a malfunction or failure of a TOSHIBA product could cause loss of human life, bodily injury or damage to property. In developing your designs, please ensure that TOSHIBA products are used within specified operating ranges as set forth in the most recent products specifications. Also, please keep in mind the precautions and conditions set forth in the TOSHIBA Semiconductor Reliability Handbook.

● Gallium arsenide (GaAs) is a substance used in the products described in this document. GaAs dust and fumes are toxic. Do not break, cut or pulverize the product, or use chemicals to dissolve them. When disposing of the products, follow the appropriate regulations. Do not dispose of the products with other industrial waste or with domestic garbage.

● The products described in this document are subject to the foreign exchange and foreign trade laws.

● The information contained herein is presented only as a guide for the applications of our products. No responsibility is assumed by TOSHIBA CORPORATION for any infringements of intellectual property or other rights of the third parties which may result from its use. No license is granted by implication or otherwise under any intellectual property or other rights of TOSHIBA CORPORATION or others.

● The information contained herein is subject to change without notice.

- Option (D4) type
 TÜV Approved : DIN VDE0884
 Approved No. R9950202
 Maximum Operating Insulation Voltage : 890 V_{PK}
 Maximum Permissible Overvoltage : 8000 V_{PK}

(Note) : When a VDE0884 approved type is needed, please designate the "Option (D4)"

Making the VDE Application : DIN VDE0884

- Construction Mechanical Rating

	7.62 mm pich Typical type	10.16 mm pich TLPxxxF type
Creepage Distance	7.0 mm (min)	8.0 mm (min)
Clearance	7.0 mm (min)	8.0 mm (min)
Insulation Thickness	0.4 mm (min)	0.4 mm (min)

CURRENT TRANSFER RATIO

TYPE	CLASSI- FICATION (*1)	CURRENT TRANSFER RATIO (%) (I _C / I _F)		MARKING OF CLASSIFICATION
		I _F = 5 mA, V _{CE} = 5 V, T _a = 25°C		
		MIN	MAX	
TLP421	(None)	50	600	Blank, Y, Y+, G, G+, B, B+, GB
	Rank Y	50	150	Y, Y+
	Rank GR	100	300	G, G+
	Rank BL	200	600	B, B+
	Rank GB	100	600	G, G+, B, B+, GB

(*1) : Ex. Rank GB : TLP421 (GB)

(Note): Application type name for certification test, please use standard product type name, i. e.
 TLP421 (GB) : TLP421

MAXIMUM RATINGS (Ta = 25°C)

CHARACTERISTIC		SYMBOL	RATING	UNIT
LED	Forward Current	I_F	60	mA
	Forward Current Derating (Ta \geq 39°C)	$\Delta I_F / ^\circ\text{C}$	-0.7	mA / °C
	Pulse Forward Current (Note 2)	I_{FP}	1	A
	Power Dissipation	P_D	100	mW
	Power Dissipation Derating	$\Delta P_D / ^\circ\text{C}$	-1.0	mW / °C
	Reverse Voltage	V_R	5	V
Junction Temperature		T_j	125	°C
DETECTOR	Collector-Emitter Voltage	V_{CEO}	80	V
	Emitter-Collector Voltage	V_{ECO}	7	V
	Collector Current	I_C	50	mA
	Power Dissipation (Single Circuit)	P_C	150	mW
	Power Dissipation Derating (Ta \geq 25°C) (Single Circuit)	$\Delta P_C / ^\circ\text{C}$	-1.5	mW / °C
	Junction Temperature	T_j	125	°C
Operating Temperature Range		T_{opr}	-55~100	°C
Storage Temperature Range		T_{stg}	-55~125	°C
Lead Soldering Temperature (10 s)		T_{sol}	260	°C
Total Package Power Dissipation		P_T	250	mW
Total Package Power Dissipation Derating (Ta \geq 25°C)		$\Delta P_T / ^\circ\text{C}$	-2.5	mW / °C
Isolation Voltage (Note 3)		BV_S	5000	V_{rms}

(Note 2) : 100 μs pulse, 100 Hz frequency(Note 3) : AC, 1 min., R.H. \leq 60%. Apply voltage to LED pin and detector pin together.

RECOMMENDED OPERATING CONDITIONS

CHARACTERISTIC	SYMBOL	MIN	TYP.	MAX	UNIT
Supply Voltage	V_{CC}	—	5	24	V
Forward Current	I_F	—	16	25	mA
Collector Current	I_C	—	1	10	mA
Operating Temperature	T_{opr}	-25	—	85	°C

INDIVIDUAL ELECTRICAL CHARACTERISTICS (Ta = 25°C)

CHARACTERISTIC		SYMBOL	TEST CONDITION	MIN	TYP.	MAX	UNIT
LED	Forward Voltage	V _F	I _F = 10 mA	1.0	1.2	1.3	V
	Reverse Current	I _R	V _R = 5 V	—	—	10	μA
	Capacitance	C _T	V = 0, f = 1 MHz	—	30	—	pF
DETECTOR	Collector-Emitter Breakdown Voltage	V (BR) CEO	I _C = 0.5 mA	80	—	—	V
	Emitter-Collector Breakdown Voltage	V (BR) ECO	I _E = 0.1 mA	7	—	—	V
	Collector Dark Current	I _D (I _{CEO})	V _{CE} = 24 V (Ambient Light Below 1000 lx)	—	0.01 (0.1)	0.1 (10)	μA
			V _{CE} = 24 V (Ambient Light Below 1000 lx) Ta = 85°C	—	0.6 (1)	50 (50)	μA
Capacitance (Collector to Emitter)	C _{CE}	V = 0, f = 1 MHz	—	10	—	pF	

COUPLED ELECTRICAL CHARACTERISTICS (Ta = 25°C)

CHARACTERISTIC	SYMBOL	TEST CONDITION	MIN	TYP.	MAX	UNIT
Current Transfer Ratio	I _C / I _F	I _F = 5 mA, V _{CE} = 5 V Rank GB	50	—	600	%
			100	—	600	
Saturated CTR	I _C / I _F (sat)	I _F = 1 mA, V _{CE} = 0.4 V Rank GB	—	60	—	%
			30	—	—	
Collector-Emitter Saturation Voltage	V _{CE} (sat)	I _C = 2.4 mA, I _F = 8 mA	—	—	0.4	V
		I _C = 0.2 mA, I _F = 1 mA Rank GB	—	0.2	—	
			—	—	0.4	

ISOLATION CHARACTERISTICS (Ta = 25°C)

CHARACTERISTIC	SYMBOL	TEST CONDITION	MIN	TYP.	MAX	UNIT
Capacitance (Input to Output)	C _S	V _S = 0, f = 1 MHz	—	0.8	—	pF
Isolation Resistance	R _S	V _S = 500 V	1 × 10 ¹²	10 ¹⁴	—	Ω
Isolation Voltage	BV _S	AC, 1 minute	5000	—	—	V _{rms}
		AC, 1 second, in oil	—	10000	—	
		DC, 1 minute, in oil	—	10000	—	V _{dc}

SWITCHING CHARACTERISTICS (Ta = 25°C)

CHARACTERISTICS	SYMBOL	TEST CONDITION	MIN	TYP.	MAX	UNIT
Rise Time	t_r	$V_{CC} = 10\text{ V}, I_C = 2\text{ mA}$ $R_L = 100\ \Omega$	—	2	—	μs
Fall Time	t_f		—	3	—	
Turn-on Time	t_{on}		—	3	—	
Turn-off Time	t_{off}		—	3	—	
Turn-on Time	t_{ON}	$R_L = 1.9\text{ k}\Omega$ (Fig.1) $V_{CC} = 5\text{ V}, I_F = 16\text{ mA}$	—	2	—	μs
Storage Time	t_s		—	25	—	
Turn-off Time	t_{OFF}		—	50	—	

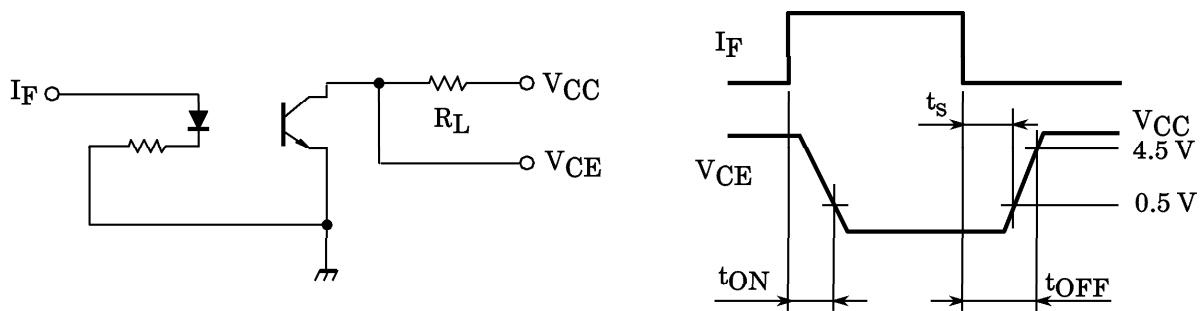


Fig.1 Switching Time Test Circuit

